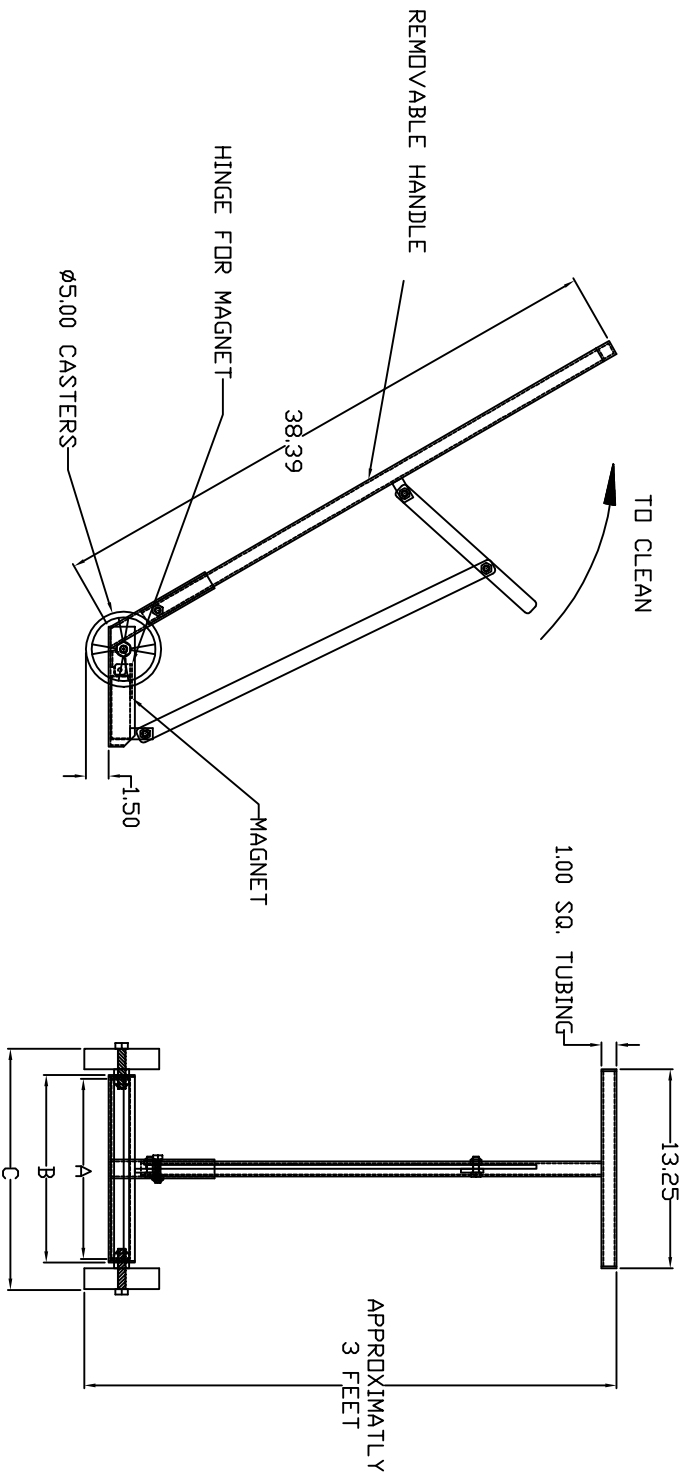


CFSEZ SERIES FLOOR SWEEPER



MODEL NO.	A = MAGNET	B = FRAME	C = OVERALL
CF512EZ	12"	12.5"	16"
CF524EZ	24"	24.5"	28"
CF536EZ	36"	36.5"	40"
CF548EZ	48"	48.5"	52"

Puritan Magnetics
 465 S. Glaspie St., Unit B
 Oxford, MI, 48371
 Ph: 248-628-3808
 Fax: 248-628-3844
 www.puritanmagnetics.com
 magnet@puritanmagnetics.com