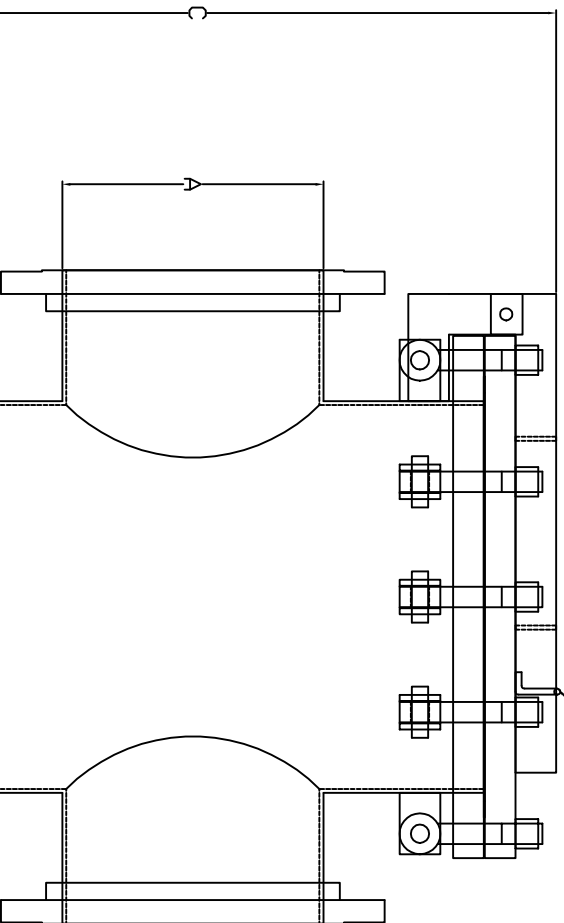
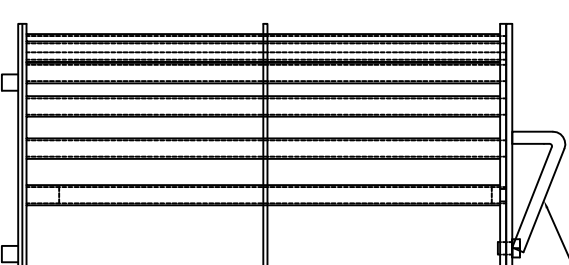


PRODUCT FLOW

MODEL NUMBER	DIMENSION A		DIMENSION B		DIMENSION C		DIMENSION D		NUMBER OF TUBES #	APPROX. WEIGHT	
	INCHES	MM	INCHES	MM	INCHES	MM	INCHES	MM		LBS.	KG
NLT6	6	152	23	584	22	559	10.75	273	7	220	100
NLT8	8	203	26	660	30	762	12.75	311	9	270	123
NLT10	10	254	30	762	37	940	16	406	11	450	204
NLT12	12	305	34	864	37	940	18	457	15	500	227
NLT14	14	356	36	914	42	1067	20	508	15	750	340
NLT16	16	406	40	1016	46	1168	24	610	17	1000	454
NLT18	18	457	40	1016	50	1270	24	610	17	1100	499

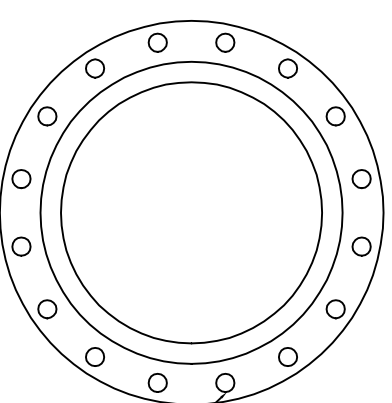
MAGNETIC ASSEMBLY

LIFT LUG



LIFT LUG

PRODUCT FLOW



INLET AND OUTLET  
150 POUND  
STANDARD PIPE FLANGE

FLOOR SUPPORTS

BOTTOM DRAIN

ALL INFORMATION DISCLOSED BY THIS DOCUMENT IS CONSIDERED CONFIDENTIAL AND PROPRIETARY BY PURITAN MAGNETICS INC. ALL DESIGN, MANUFACTURE, USE, REPRODUCTION AND SALE RIGHTS ARE RESERVED BY PURITAN MAGNETICS INC.

DES. BY: CH  
DET. BY: CH  
SHEET: 1 OF 1  
DATE: 6/25/06  
SCALE: NTS  
TITLE: NEO LIQUID-TRAP  
465 GLASPIE RD, UNIT B  
OXFORD, MI 48371  
**PURITAN MAGNETICS, INC.**

DWG NO: NLT.BROCHURE