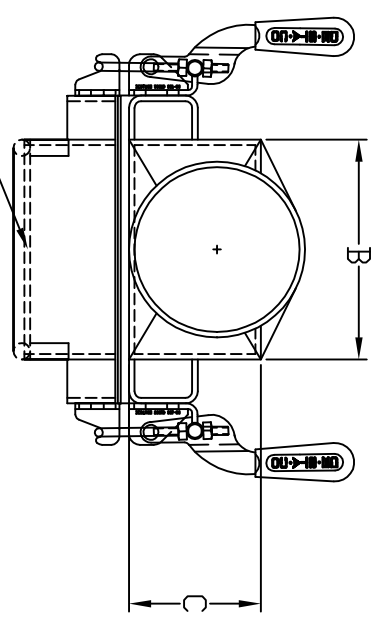


HANDLE TYP BOTH ENDS

EXTRA DUTY RARE EARTH
NEODYMIUM-IRON-BORON
PLATE MAGNET



MODEL NUMBER	DIMENSION A		DIMENSION B		DIMENSION C		DIMENSION D		DIMENSION E		DIMENSION F		DIMENSION G		DIMENSION H		APPROX. WEIGHT	
	INCHES	MM	INCHES	MM	INCHES	MM	INCHES	MM	INCHES	MM	INCHES	MM	INCHES	MM	INCHES	MM	LBS.	KG
NAVPM2	2 DIA.	51 DIA.	5	127	3	76.2	2.750	69.85	4	101.6	14.5	368.3	11	279.4	28	711.2	75	34
NAVPM3	3 DIA.	76 DIA.	5	127	3	76.2	2.750	69.85	4	101.6	14.5	368.3	11	279.4	28	711.2	80	36
NAVPM4	4 DIA.	102 DIA.	5	127	3	76.2	2.750	69.85	4	101.6	14.5	368.3	11	279.4	28	711.2	85	39
NAVPM5	5 DIA.	127 DIA.	5	127	4	101.6	2.750	69.85	4	101.6	14.5	368.3	11	279.4	28	711.2	95	43
NAVPM6	6 DIA.	152 DIA.	6	152.4	5	127	2.750	69.85	4	101.6	14.5	368.3	11	279.4	28	711.2	105	48
NAVPM8	8 DIA.	203 DIA.	8	203.2	7	177.8	2.750	69.85	4	101.6	14.5	368.3	11	279.4	28	711.2	115	52
NAVPM10	10 DIA.	254 DIA.	10	254	8	203.2	2.750	69.85	4	101.6	14.5	368.3	11	279.4	28	711.2	125	57

ALL INFORMATION DISCLOSED BY THIS DOCUMENT IS
CONSIDERED CONFIDENTIAL AND PROPRIETARY BY
PURITAN MAGNETICS, INC. ALL DESIGN, MANUFACTURE,
USE, REPRODUCTION & SALE RIGHTS ARE RESERVED
BY PURITAN MAGNETICS, INC.

STANDARD TOLERANCES
ANGLES = ± 0°-30'
FRAC. = ± .030
.0 = ± .060

DES BR: JH CH
SHEET: 1 OF 1
DATE: 9/03/06
SCALE: NTS
TITLE: NEED AIR-VEY PLATE MAGNET
DWG NO: NAVPM/BROCHURE
PURITAN MAGNETICS, INC.
465 Glaspie Rd unit B
OXFORD MI 48371