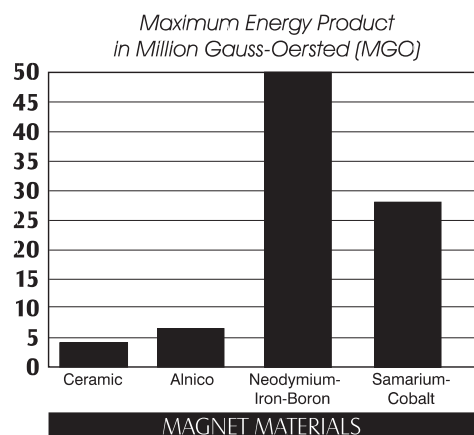


CONSTRUCTION:

- Highest grades of magnet material including Neodymium-Iron-Boron (rare-earth), Samarium-Cobalt (rare-earth), Ceramic, and Alnico
- 100% 304 stainless steel, all welded rugged construction
- Positive seal, dust tight construction, food grade gaskets
- Easy access rear door for inspection and maintenance on E-Z CLEAN™ & POW-R CLEAN™
- Two staggered tiers of 1" diameter magnetic tubes fabricated on 2" centers horizontally and vertically to maximize magnetic filtration
- Pre-engineered for fast field installation
- Heavy duty pre-drilled 3/16 x 1 1/2 x 1 1/2 stainless angle inlet/outlet flanges
- Flanged ferrous contaminant discharge outlet

OPTIONS:

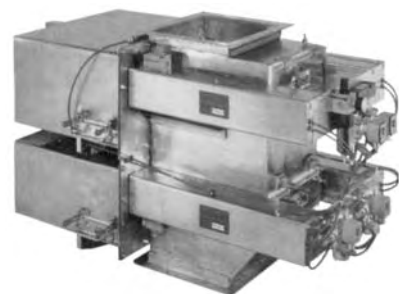
- 316L stainless steel and other alloy construction
- Single or multiple tier configurations
- Non-standard tube spacing
- Several sanitary construction options to choose from
- Custom inlet and outlet transitions
- E-Z CLEAN™ package
- Electric POW-R CLEAN™ drive package
- Custom sizes available
- Special coatings & finishes upon request



Custom Designs for Challenging Applications



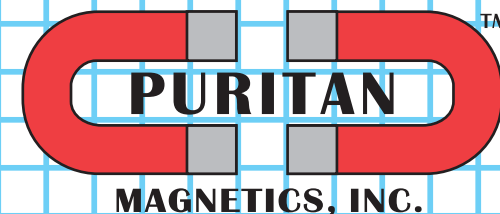
Model Number ND23045POW-RX
Two tier 30" x 45" POW-R CLEAN Drawer Magnet for use at a bag dump station above a mixer



Model Number ND51212POW-RX
Five tier 12" x 12" POW-R CLEAN Drawer Magnet for use in pharmaceutical applications



Ten tier 8" x 8" E-Z Clean Drawer Magnet for use in a pharmaceutical application



DRAWER MAGNETS

APPLICATION:

Engineered to remove medium and fine ferrous contaminants from dry, free flowing products under gravity flow. Puritan's Drawer Magnets protect processing machinery and improve product purity. Multiple staggered rows provide maximum contact area for product flow. As product flows through the stainless steel housing, it cascades over the staggered rows of magnetic tubes. Ferrous contaminants are pulled to the surface of the magnets where they move to the underside of the tube to prevent any washoff.

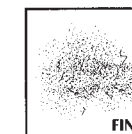
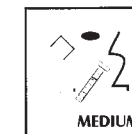
MANUAL CLEAN DRAWER MAGNET

Model pictured: ND288

To clean the magnetic tubes, release the latch assembly and open the door. Remove the grate assemblies one at a time. Remove the tramp metal by hand. Use extreme caution and wear gloves during this process. NOTE: Rare earth magnets are extremely powerful and tramp metal is very difficult to remove by hand. E-Z-CLEAN™ or POW-R CLEAN™ options should be considered.



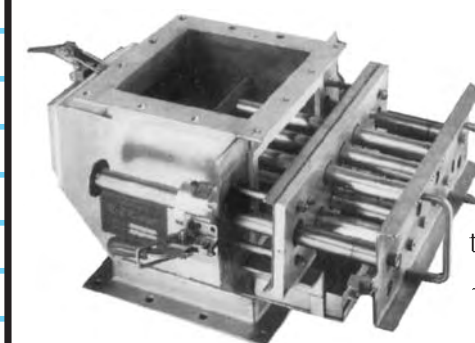
TARGET FERROUS CONTAMINANTS



EZ-CLEAN™ DRAWER MAGNET

Model pictured: ND288EZ

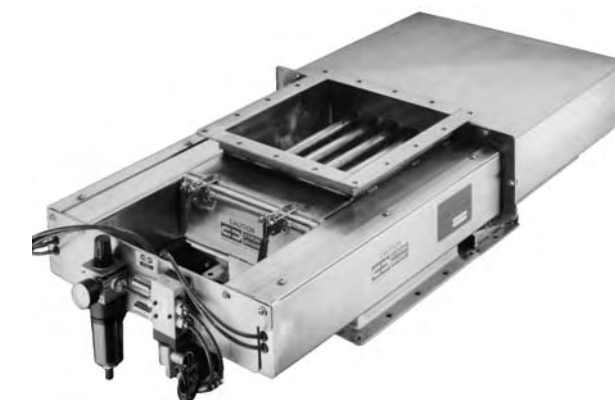
The simplified cleaning process requires a minimal amount of effort. Simply release the latch assembly and pull the drawer open. As the magnetic tubes exit the housing, they are drawn through a scraper assembly which physically scrapes the tramp metal off the tubes and into a collection tray. The entire cleaning process takes place outside of the product flow through area eliminating the possibility of tramp metal returning to the processing system. Clean magnet periodically for the most efficient performance.



POW-R CLEAN™ DRAWER MAGNET

Model pictured: ND21212POW-R

Through manual or automated control, the pneumatically operated POW-R CLEAN™ system removes the magnetic tubes from the housing. As the magnetic tubes exit the housing, they are drawn through a scraper assembly which physically scrapes the ferrous contaminants off the tubes where it is discharged through a flanged opening in the safety cage. The entire cleaning process takes place outside of the product flow through area, eliminating the possibility of ferrous contaminants returning to the processing system.



Note: Due to ongoing product development, certain specifications are subject to change without notice.

For technical assistance or to order

1-800-SUREMAG™

1-800-787-3624

465 Gaspie Rd. Unit B

Oxford, MI 48371

Tel: 248-628-3808

Fax: 248-628-3844

www.puritanmagnetics.com

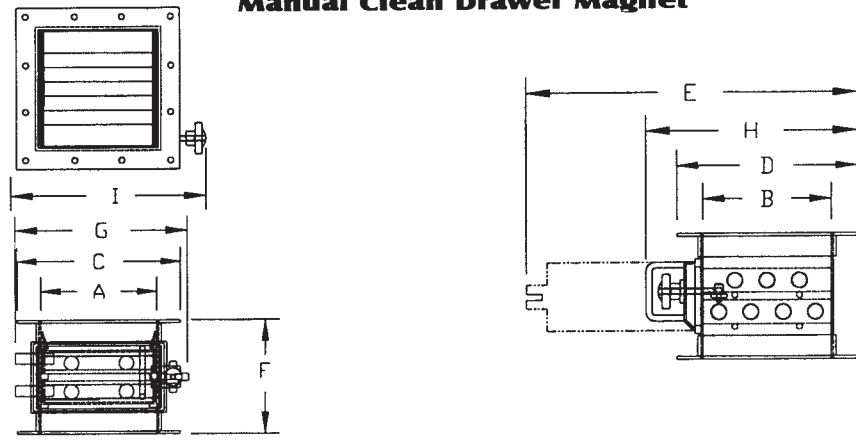
E-Mail: magnet@puritanmagnetics.com

Data Sheet #2158 / Rev. 5/04

Solutions To Your Magnetic Needs



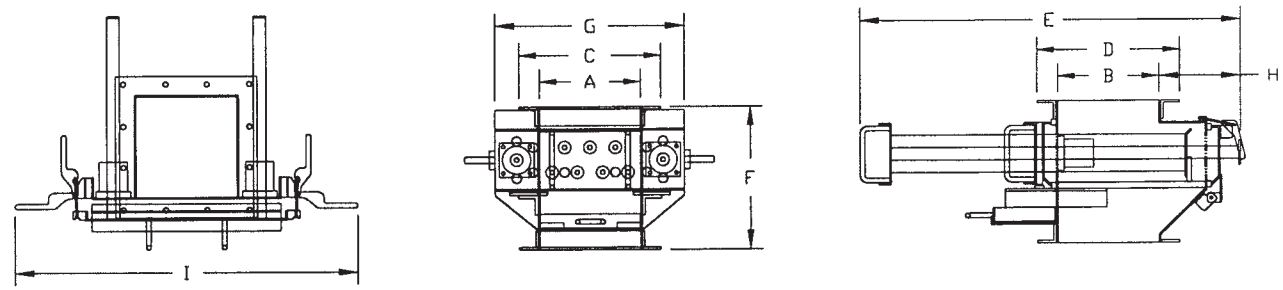
Manual Clean Drawer Magnet



SELECTION CHART

MODEL NUMBER	A		B		C		D		E		F		G		H		I		WEIGHT		MAXIMUM THRU PUT	
	IN	MM	IN	MM	IN	MM	IN	MM	IN	MM	IN	MM	IN	MM	IN	MM	IN	MM	LBS	KG	IN	MM
D20808	8	203	8	203	11.25	286	11.25	286	21	533	8	203	12	305	13.25	337	13.25	337	30	14	32	813
D21010	10	254	10	254	13.25	337	13.25	337	25	635	8	203	14	356	15.25	387	15.25	387	37	17	50	1270
D21212	12	305	12	305	15.25	387	15.25	387	29	737	8	203	16	406	17.25	438	17.25	438	43	20	72	1829
D21414	14	356	14	356	17.25	438	17.25	438	33	838	8	203	18	457	19.25	489	19.25	489	50	23	98	2489
D21616	16	406	16	406	19.25	489	19.25	489	37	940	8	203	20	508	21.25	540	21.25	540	56	25	128	3251
D21818	18	457	18	457	21.25	540	21.25	540	41	1014	8	203	22	559	23.25	591	23.25	591	62	28	162	4115
D22020	20	508	20	508	23.25	591	23.25	591	45	1143	8	203	24	610	25.25	641	25.25	641	69	31	200	5080
D22222	22	559	22	559	25.25	641	25.25	641	49	1245	8	203	26	660	27.25	692	27.25	692	75	34	242	6147
D22424	24	610	24	610	27.25	692	27.25	692	53	1346	8	203	28	711	29.25	743	29.25	743	81	37	288	7315
D22626	26	660	26	660	29.25	743	29.25	743	57	1448	8	203	30	762	31.25	793	31.25	793	86	39	338	8585
D22828	28	711	28	711	31.25	793	31.25	793	61	1549	8	203	32	813	33.25	845	33.25	845	95	43	392	9957
D23030	30	762	30	762	33.25	845	33.25	845	65	1651	8	203	34	889	35.25	895	35.25	895	101	46	450	11430

E-Z CLEAN™ Drawer Magnet

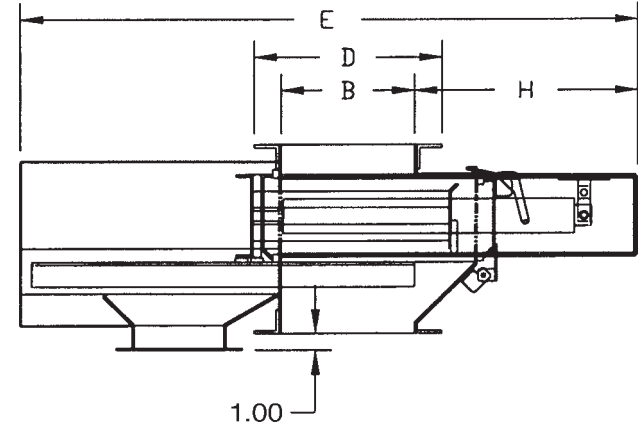
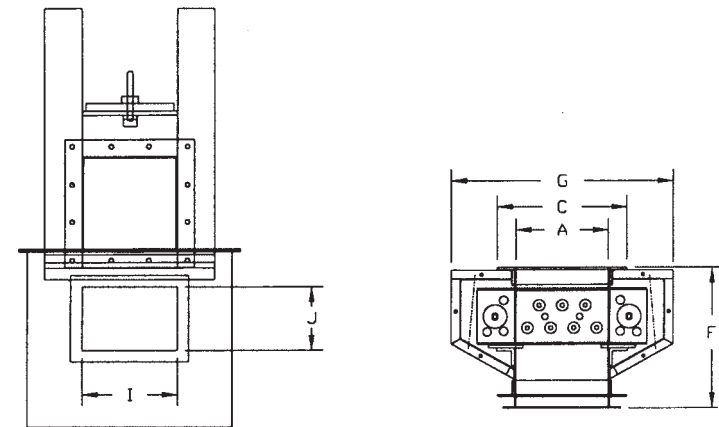


SELECTION CHART

MODEL NUMBER	A		B		C		D		E		F		G		H		I		WEIGHT		MAXIMUM THRU PUT	
	IN	MM	IN	MM	IN	MM	IN	MM	IN	MM	IN	MM	IN	MM	IN	MM	IN	MM	LBS	KG	IN	MM
D20808EZ	8	203	8	203	11.25	286	11.25	286	30.13	765	11.50	292	15	381	6.44	164	28	711	75	34	32	813
D21010EZ	10	254	10	254	13.25	337	13.25	337	34.13	867	11.50	292	17	432	8.44	214	30	762	100	45	50	1270
D21212EZ	12	305	12	305	15.25	387	15.25	387	38.13	969	11.50	292	19	483	10.44	265	32	813	125	57	72	1829
D21414EZ	14	356	14	356	17.25	438	17.25	438	42.13	1070	11.50	292	21	533	12.44	316	34	864	150	68	98	2489
D21616EZ	16	406	16	406	19.25	489	19.25	489	46.13	1172	12	305	23	584	14.44	367	36	914	225	102	128	3251

NOTE: Sizes larger than 12" square may be difficult to manually operate due to the tight tolerances required to remove ferrous contaminants. POW-R CLEAN Options should be considered for these applications.

POW-R CLEAN™ Drawer Magnet



SELECTION CHART

MODEL NUMBER	A		B		C		D		E		F		G		H		I		J		WEIGHT		MAXIMUM THRU PUT	
	IN	MM	IN	MM	IN	MM	IN	MM	IN	MM	IN	MM	IN	MM	IN	MM	IN	MM	IN	MM	LBS	KG	IN	MM
D20808POW-R	8	203	8	203	11.25	286	11.25	286	36.94	938	11.50	292	19.25	489	13.25	337	8.25	210	5.63	143	110	50	32	813
D21010POW-R	10	254	10	254	13.25	337	13.25	337	40.94	1040	11.50	292	21.25	540	13.25	337	10.25	260	5.63	143	140	64	50	1270
D21212POW-R	12	305	12	305	15.25	387	15.25	387	44.94	1141	11.50	292	23.25	591	13.25	337	12.25	311	5.63	143	165	75	72	1829
D21414POW-R	14	356	14	356	17.25	438	17.25	438	48.94	1243	11.50	292	25.25	641	13.25	337	14.25	362	5.63	143	195	88	98	2489
D21616POW-R	16	406	16	406	19.25	489	19.25	489	52.94	1345	11.50	292	27.25	692	13.25	337	16.25	413	5.63	143	220	100	128	3251
D21818POW-R	18	457	18	457	21.25	540	21.25	540	56.94	1446	11.50	292	29.25	743	13.25	337	18.25	464	5.63	143	245	111	162	4115
D22020POW-R	20	508	20	508	23.25	591	23.25	591	60.94	1548	11.50	292	31.25	794	13.25	337	20.25	514	5.63	143	270	122	200	5080
D22222POW-R	22	559	22	559	25.25	641	25.25	641	64.94	1649	11.50	292	33.25	845	13.25	337	22.25	565	5.63	143	300	136	242	6147
D22424POW-R	24	610	24	610	27.25	692	27.25	692	68.94	1751	11.50	292	35.25	895	13.25	337	24.25	616	5.63	143	325	147	288	7315
D22626POW-R	26	660	26	660	29.25	743	29.25	743	72.94	1853	11.50	292	37.25	946	13.25	337	26.25	667	5.63	143	350	159	338	8585
D22828POW-R	28	711	28	711	31.25	793	31.25	793	76.94	1954	11.50	292	39.25	997	13.25	337	28.25	718	5.63	143	380	172	392	9957
D23030POW-R	30	762	30	762	33.25	845	33.25	845	80.94	2056	11.50	292	41.25	1048	13.25	337	30.25	768	5.63	143	405	184	450	11430