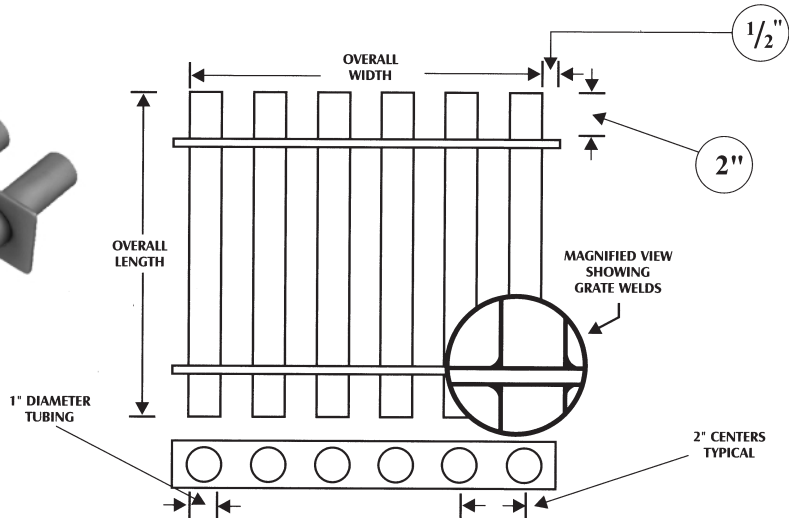
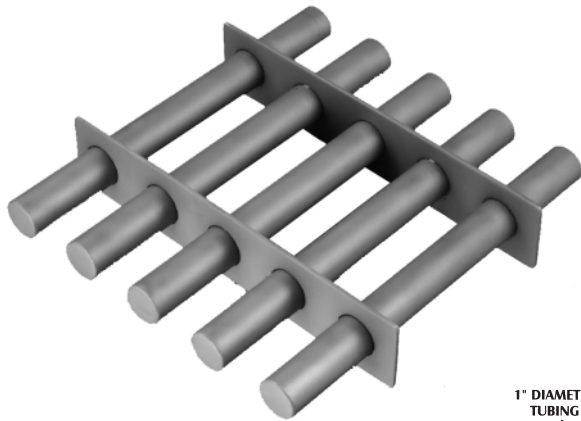


# SQUARE GRATE MAGNETS

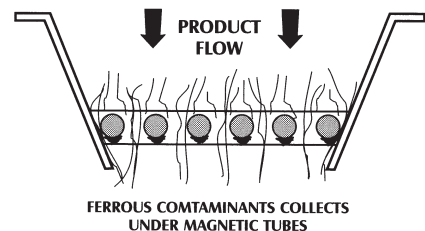


## APPLICATION:

Magnetically engineered to provide a full range of ferrous metal separation from free-flowing products with gravity fall processing applications. Puritan's designs offer maximum capture, control and protection of equipment while improving product purity. For maximum protection, locate in critical areas where capture is possible, most needed, and where removal for cleaning is feasible. Grates are most effective when the product is dry, free-flowing and does not bridge between the magnetic tubes (Puritan also offers other magnetic designs for those more difficult applications). Select a Magnetic Grate at least twice the cross sectional area of the incoming spout opening and discharge. When in doubt, phone Puritan for engineering assistance.

## LENGTH IN INCHES

	4"	6"	8"	10"	12"	14"	16"	18"	20"	22"	24"
4"	G0404	G0406	G0408	G0410	G0412	G0414	G0416	G0418	G0420		
6"	G0604	G0606	G0608	G0610	G0612	G0614	G0616	G0618	G0620		
8"	G0804	G0806	G0808	G0810	G0812	G0814	G0816	G0818	G0820		
10"	G1004	G1006	G1008	G1010	G1012	G1014	G1016	G1018	G1020		
12"	G1204	G1206	G1208	G1210	G1212	G1214	G1216	G1218	G1220		
14"	G1404	G1406	G1408	G1410	G1412	G1414	G1416	G1418	G1420		
16"	G1604	G1606	G1608	G1610	G1612	G1614	G1616	G1618	G1620		
18"	G1804	G1806	G1808	G1810	G1812	G1814	G1816	G1818	G1820		
20"	G2004	G2006	G2008	G2010	G2012	G2014	G2016	G2018	G2020		
22"	G2204	G2206	G2208	G2210	G2212	G2214	G2216	G2218	G2220	G2222	
24"	G2404	G2406	G2408	G2410	G2412	G2414	G2416	G2418	G2420	G2422	G2424



Note: Additional sizes available

How to Order: N=Neodymium-Iron-Boron, S=Samarium-Cobalt, C=Ceramic, A=Alnico  
 N=No Diverters, A=90° Diverters, B=60° Diverters, C=3/8" Diverters

Example: CG1012A = Ceramic Grate Magnet, 10" wide, 12" long  
 with 90° Diverters.

Note: Due to ongoing product development, certain specifications are subject to change without notice.

## OPERATION:

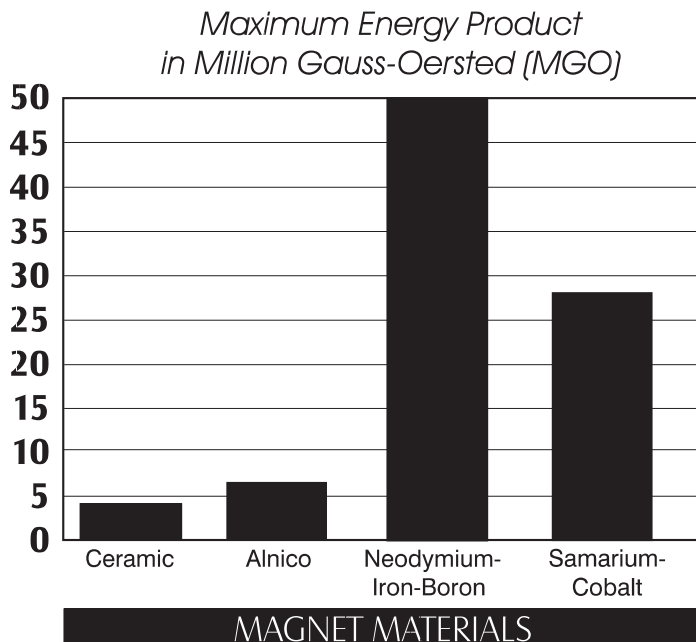
As product flows over the Magnetic Grate, it cascades over stainless steel enclosed magnetic tubes. Ferrous contaminants are captured, then move to the underside of the tubes to prevent potential washoff from the product stream. Staggered rows of magnetic tubes can dramatically improve capture in higher velocity flows, and or heavier ferrous contaminant content. With multiple grate layers, spacing should be no closer than 2 inches between layers to maintain product flow. Clean magnetic tubes periodically to remove accumulated ferrous contaminants. This will ensure efficient performance.

## CONSTRUCTION:

- Highest grade of magnet material including Neodymium-Iron-Boron (rare earth), Samarium-Cobalt (rare earth), Ceramic, and Alnico
- 1/8" thick x 2" tall stainless steel support stringers welded to tubes
- Rugged, high strength designs
- Seam welded tube ends
- 100% stainless steel enclosed

## OPTIONS:

- 316L stainless steel and other alloy construction
- Special sizes on request
- E-Z Clean™ options
- Round sizes available
- Non-standard tube spacing



For technical assistance or to order

**1-800-SUREMAG™**

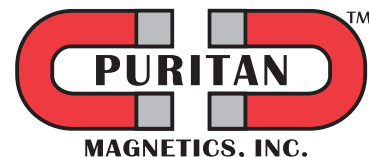
**1-800-787-3624**

465 Gaspie Rd. Unit B  
Oxford, MI 48371  
Tel: 248-628-3808  
Fax: 248-628-3844

[www.puritanmagnetics.com](http://www.puritanmagnetics.com)

E-Mail: [magnet@puritanmagnetics.com](mailto:magnet@puritanmagnetics.com)

**Solutions To Your Magnetic Needs**



©2006 Puritan Magnetics

Data Sheet #2053 / Rev. 1/06