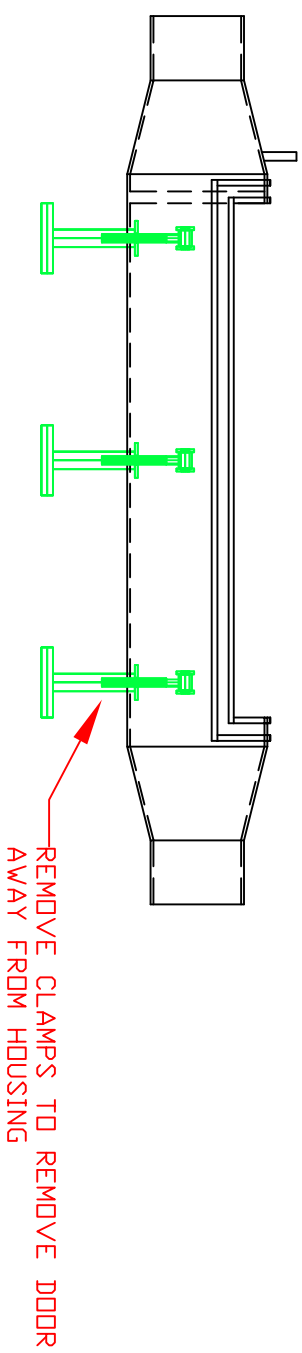
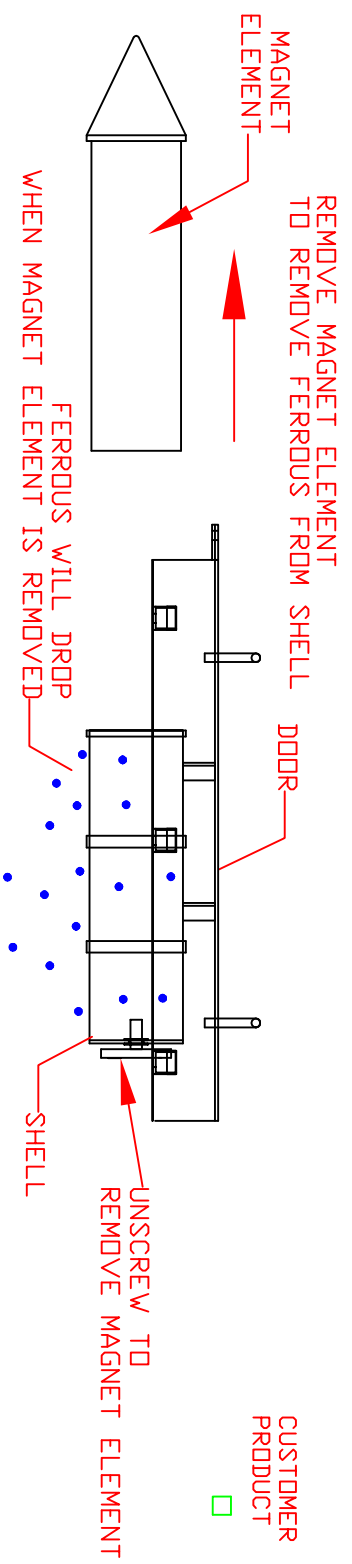
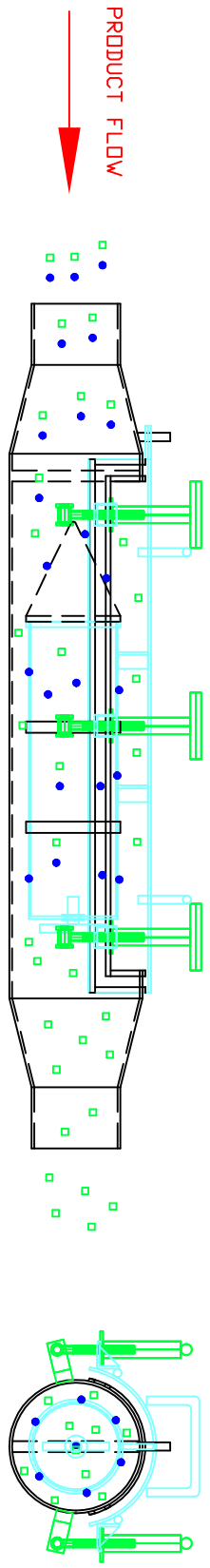


AIRVEY



CUSTOMER PRODUCT 

FERROUS CONTAMINANT 

ALL INFORMATION DISCLOSED BY THIS DOCUMENT IS CONSIDERED CONFIDENTIAL AND PROPRIETARY BY PURITAN MAGNETICS, INC. ALL DESIGN, MANUFACTURE, AND SERVICE RIGHTS ARE RESERVED BY PURITAN MAGNETICS, INC.

DES. NO.	CH	CH	CH	CH
SERIES	1	OF	1	
DATE	1/27/06	SCALE	N/A	
MANUFACTURED BY	 PURITAN MAGNETICS, INC. 900 S. GLASPIE RD. OXFORD MI 48371			
OPERATION	AIRVEY			