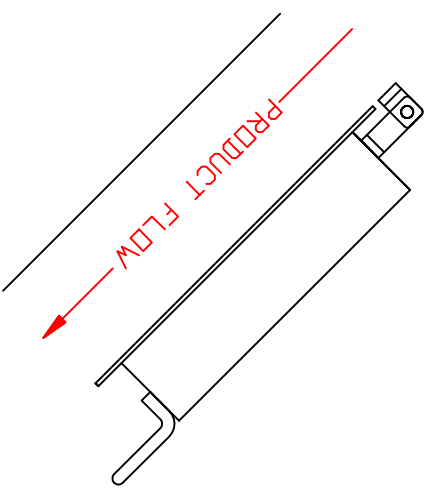
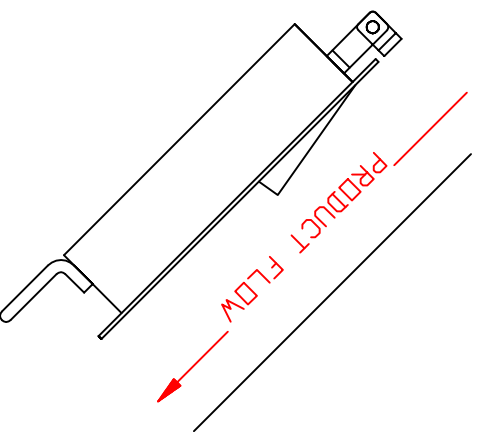


PROPER INSTALLATION

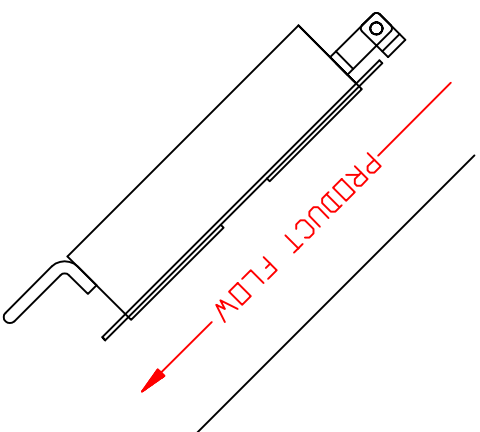
SUSPENDED FACE (SF)



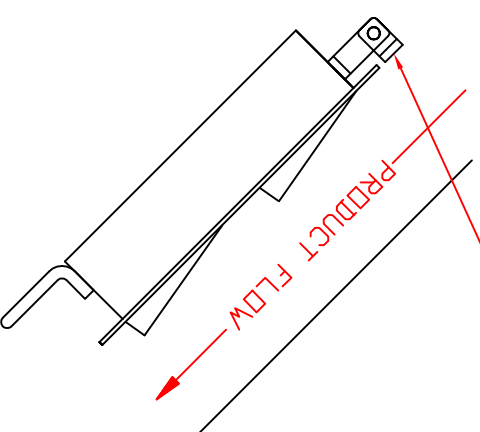
SINGLE TRAP FACE (ST)



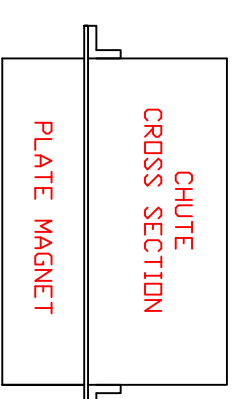
POLE FACE (PF)



TWIN TRAP FACE (TT)

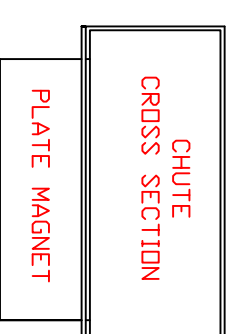


RECOMMENDED INSTALLATION



BY INSTALLING A SMALL PIECE OF ANGLE TO ACT AS A MATCHING FLANGE ALLOWS FOR FULL MAGNETIC COVERAGE ACROSS THE ENTIRE WIDTH OF THE CHUTE.

OPTIONAL INSTALLATION



BY CUTTING A HOLE IN CHUTE CROSS SECTION 1-1/2" SMALLER THAN PURCHASED PLATE MAGNET ALLOWS FOR APPROXIMATELY 2" LESS COVERAGE THAN RECOMMENDED INSTALLATION

NOTE: PLATE MOUNTS WITH 3/8" BOLTS THRU PROVIDED HOLES IN HINGES OR BY WELDING HINGES INTO PLACE

PLATE MAGNET LATCH RECOMMENDED INSTALLATION

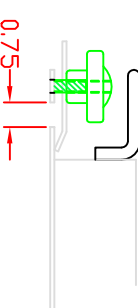
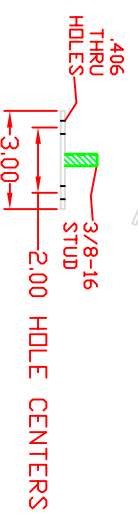


PLATE MAGNET LATCH IS MOUNTED PARALLEL TO PLATE FLANGE BY BOLTING WITH 3/8" BOLTS OR BY WELDING INTO PLACE. RECOMMENDED LOCATION IS 3/4" FROM FLANGE ONE LOCATED IN EACH CORNER OF PLATE ON END OF HANDLE.

ALL INFORMATION DISCLOSED BY THIS DOCUMENT IS CONSIDERED CONFIDENTIAL AND PROPRIETARY BY PURITAN MAGNETICS, INC. ALL DESIGN, MANUFACTURE, USE, REPRODUCTION & SALE RIGHTS ARE RESERVED BY PURITAN MAGNETICS, INC.			
DES. BY:	DES. BY:		900 S GLASPIE ST OXFORD MI 48371
CH	CH		
DATE:	SCALE:	THE: PLATE MAGNET INSTALLATION INSTRUCTIONS	
1/28/09	MS	ONE NO	PM INST. INST