

INDUSTRIAL LIQUID TRAP MAGNETS

Application: Engineered to remove ferrous contaminants from liquid and slurry lines in an industrial setting. Efficiently remove tramp iron before maintenance and product contamination problems occur.



Industrial Liquid Trap



Center of Liquid Trap

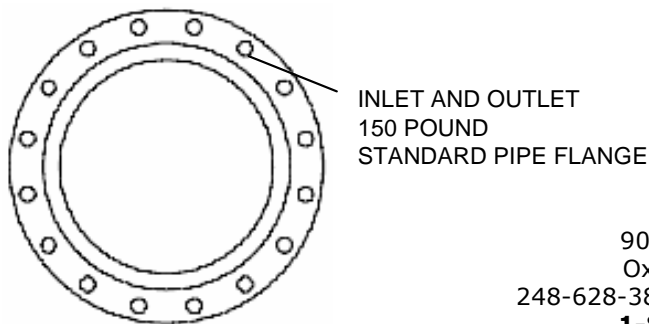
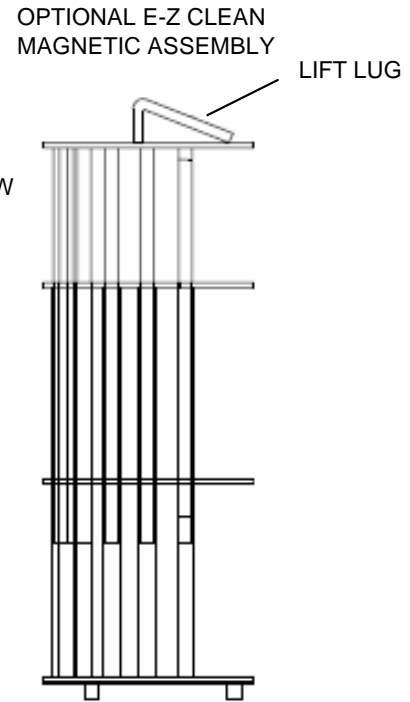
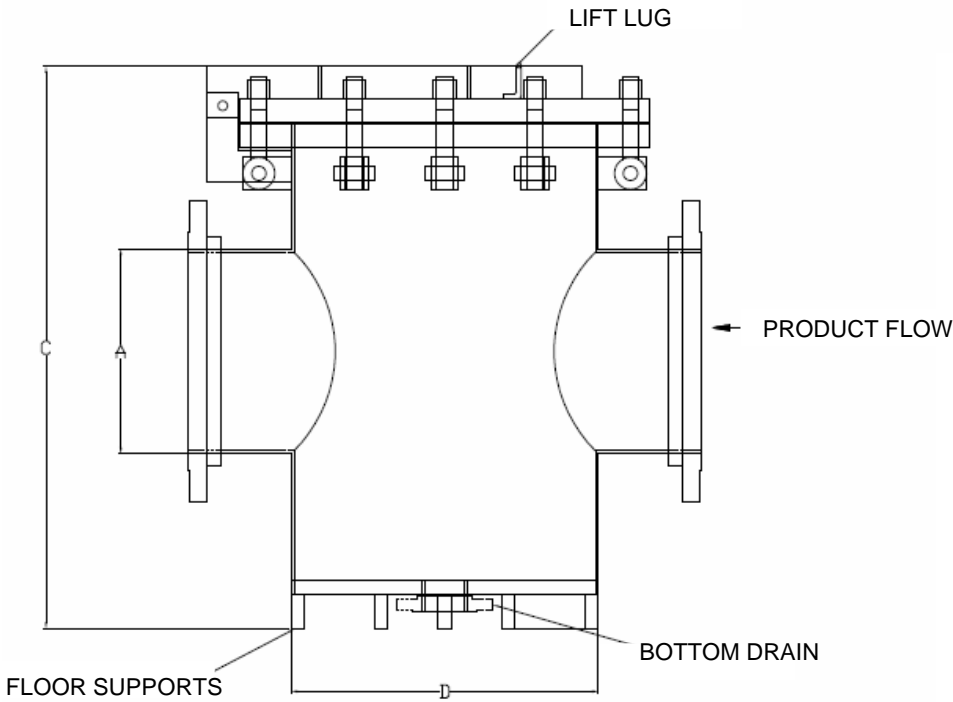
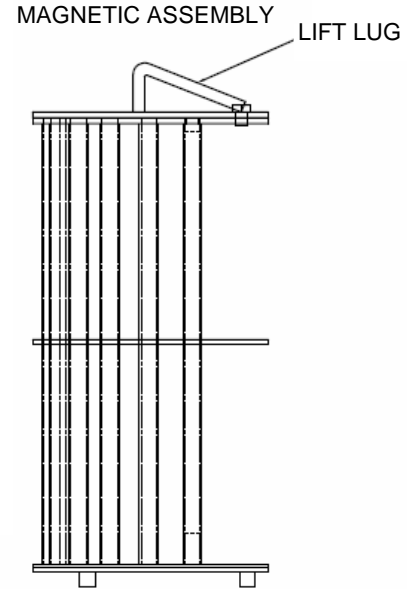
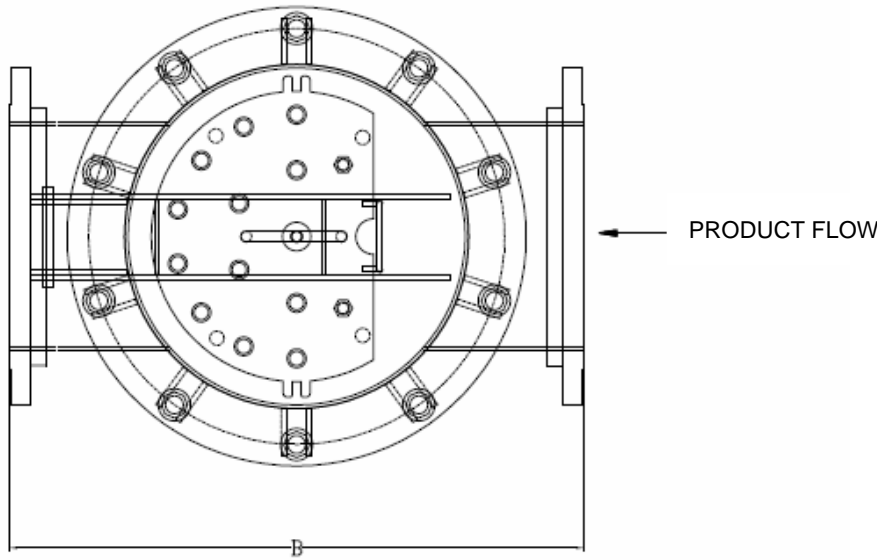
Operation: As liquids or slurries are pumped through the Liquid Trap, ferrous contaminants adhere to the strategically placed magnetic tubes. The design and construction allow the tramp iron to work around the downstream side of the tubes where it is safely out of the product flow and washoff is prevented. Cleaning is achieved by removing the top plate and removing the magnet assembly from the housing. The housing is designed not only to house the magnetic tubes, but also to act as a sump. Unwanted non-magnetic particles tend to gravitate to the bottom of the enclosure.



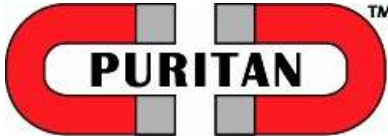
Industrial Liquid Trap Installed

Please refer to the back side of sheet for dimensional information.

MODEL NUMBER	DIMENSION A		DIMENSION B		DIMENSION C		DIMENSION D		NUMBER OF TUBES	APPROX. WEIGHT	
	INCHES	MM	INCHES	MM	INCHES	MM	INCHES	MM		#	LBS.
NLTI6	6	152	23	584	22	559	10.75	273	7	220	100
NLTI8	8	203	26	660	30	762	12.75	311	9	270	123
NLTI10	10	254	30	762	37	940	16	406	11	450	204
NLTI12	12	305	34	864	37	940	18	457	15	500	227
NLTI14	14	356	36	914	42	1067	20	508	15	750	340
NLTI16	16	406	40	1016	46	1168	24	610	17	1000	454
NLTI18	18	457	40	1016	50	1270	24	610	17	1100	499



900 S. Glaspie St.
 Oxford, MI 48371
 248-628-3808; Fax: 248-628-3844
1-800-787-3624
magnet@puritanmagnetics.com
www.puritanmagnetics.com

Solutions To Your Magnetic Needs

MAGNETICS, INC.