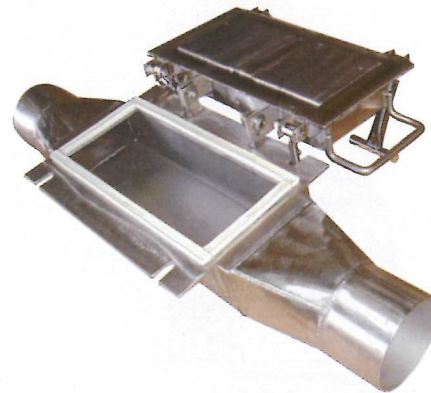
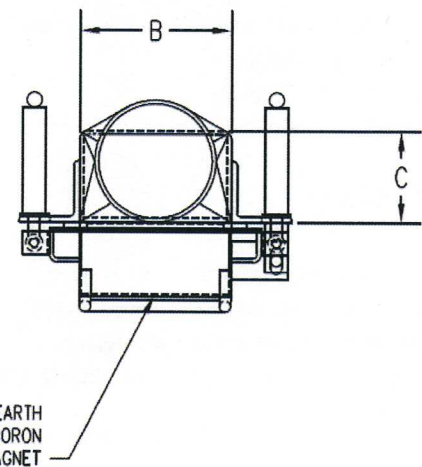
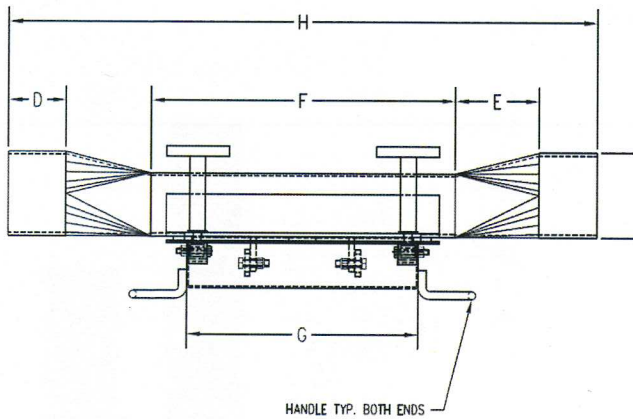


Plate Style Air-Vey Magnets



APPLICATION:

AIR-VEY Magnets are designed to remove ferrous contaminants from products in dilute phase pneumatic conveying systems operating at 15 psi or less. These units are used to ensure product purity and protect process equipment. The flow through area of the housing is engineered to maintain the same product velocity with no appreciable drop in pressure. AIR-VEY Magnets install easily in a horizontal, vertical, or angled positions with compression type couplings or weld in place.



MODEL NUMBER	A		B		C		D		E		F		G		H		APPROX. WEIGHT	
	IN	MM	IN	MM	IN	MM	IN	MM	IN	MM	IN	MM	IN	MM	IN	MM	LBS.	KG
NAVPM2	2 DIA.	51 DIA.	5	127	3	76.2	2.75	69.85	4	101.6	14.5	368.3	11	279.4	28	711.2	75	34
NAVPM3	3 DIA.	76 DIA.	5	127	3	76.2	2.75	69.85	4	101.6	14.5	368.3	11	279.4	28	711.2	80	36
NAVPM4	4 DIA.	102 DIA.	5	127	3	76.2	2.75	69.85	4	101.6	14.5	368.3	11	279.4	28	711.2	85	39
NAVPM5	5 DIA.	127 DIA.	5	127	4	101.6	2.75	69.85	4	101.6	14.5	368.3	11	279.4	28	711.2	95	43
NAVPM6	6 DIA.	152 DIA.	6	152.4	5	127	2.75	69.85	4	101.6	14.5	368.3	11	279.4	28	711.2	105	48
NAVPM8	8 DIA.	203 DIA.	8	203.2	7	177.8	2.75	69.85	4	101.6	14.5	368.3	11	279.4	28	711.2	115	52
NAVPM10	10 DIA.	254 DIA.	10	254	8	203.2	2.75	69.85	4	101.6	14.5	368.3	11	279.4	28	711.2	125	57

Note: Due to ongoing product development, certain specifications are subject to change without notice.

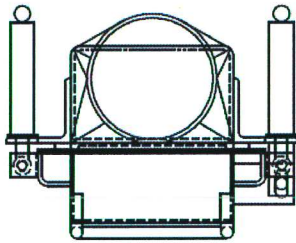
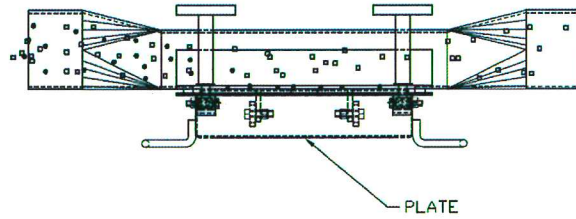
CUSTOMER
PRODUCT



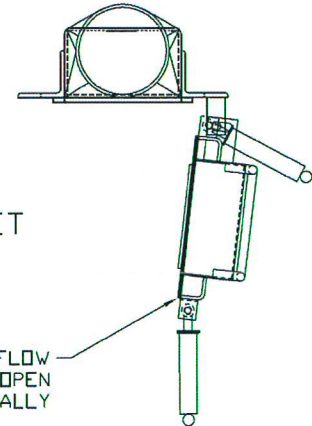
FERROUS
CONTAMINANT



PRODUCT
FLOW



CAUTION STRONG MAGNET



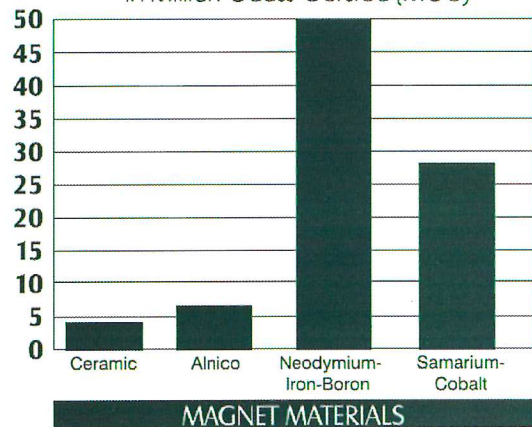
CONSTRUCTION:

- 100% 304 stainless steel welded construction
- Highest available grades of magnetic material with choices including Neodymium-Iron-Boron (rare earth), Samarium-Cobalt (rare earth), Ceramic, and Alnico
- FDA approved white silicone sponge food grade gasket material
- Heavy duty latches
- EZ CLEAN feature

OPTIONS:

- Hinged access doors
- 316L stainless steel and other alloy construction
- Sanitary construction options
- Flanged inlet and outlets to match ANSI bolt patterns

Maximum Energy Product
in Million Gauss-Oersted (MGO)



For technical assistance or to order

1-800-SUREMAG



900 S. Glaspie St.
Oxford, MI 48371
Ph: 248-628-3808
Fax: 248-628-3844

www.puritanmagnetics.com
Email: magnet@puritanmagnetics.com

Solutions To Your Magnetic Needs



©2011 Puritan Magnetics