

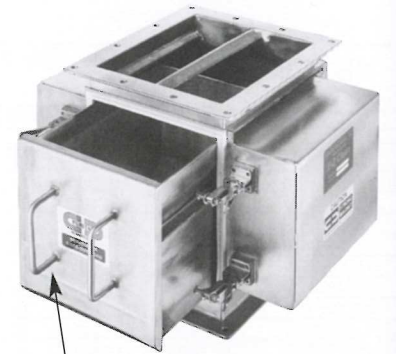
VERTICAL SPOUT MAGNETS

APPLICATION:

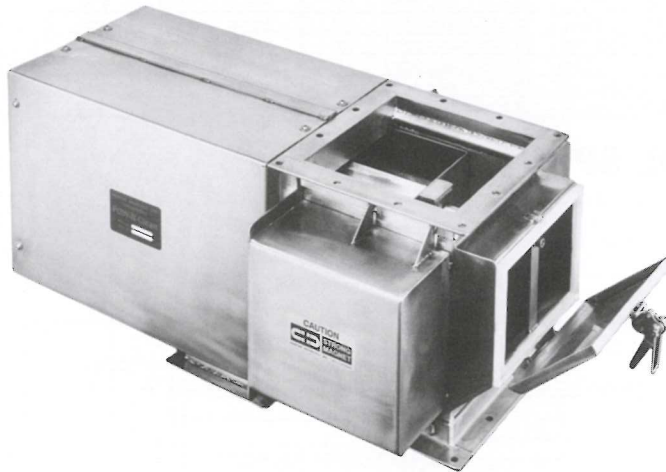
Engineered to remove fine to large ferrous contaminants from high volume, gravity fed product streams. Puritan's Vertical Spout Magnets are ideally suited for products that would bridge or choke in a magnetic tube type separator. Ferrous contaminants are easily removed from products that are moist, lumpy, granular, or in powder form. Powerful opposing magnets mounted to outside of the housing draw tramp metal out of the product stream. A center diverter on the housing inlet helps direct product towards the magnets. A Single Trap face design eliminates the possibility of the captured tramp metal being washed off back into the product stream.

EZ CLEAN VERTICAL SPOUT MODEL PICTURED: CVS21010EZ

Cleaning this magnetic separator is achieved by releasing the drawer latches and removing the internal drawer assembly. The opposing magnets are stationary and as the drawer is removed, tramp metal is transferred out of the housing and discarded into a collection tray (not shown).



Drawer shown in "open" position



POW-R CLEAN VERTICAL SPOUT MODEL PICTURED: CVS21010POW-R

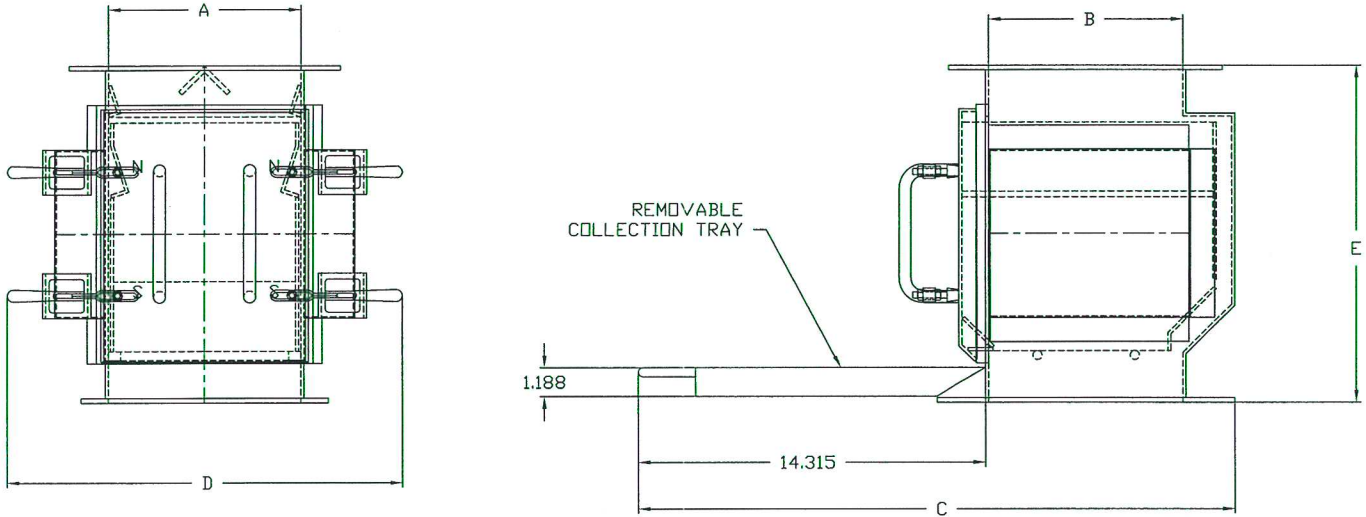
The principal of operation is similar to the EZ CLEAN unit pictured above. The POW-R CLEAN unit incorporates a pneumatic package that automatically discards the tramp metal at the touch of a button or through an automatic timer. Unit shown has a single center driven pneumatic cylinder due to space constrictions. Standard design includes two pneumatic cylinders mounted to the sides of the magnets.

POW-R CLEAN VERTICAL SPOUT – RETRACTABLE MODEL PICTURED: CVSR21038POW-R

This style features an alternative method of cleaning compared to the styles pictured above. Upon actuation of the pneumatic package, the magnets retract from the housing taking the tramp metal out of the product flow area. A stripper plate stops as the magnets continue to retract, separating the magnets from the stripper plate. Tramp metal is safely discarded into collection trays. This style is also available in EZ CLEAN (not shown).

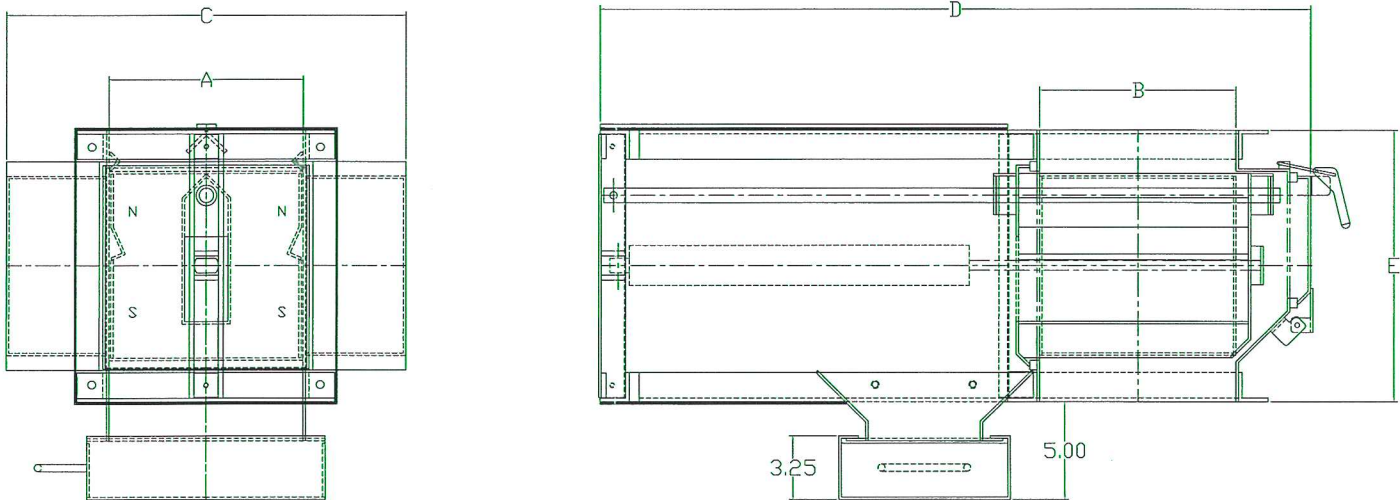


E-Z CLEAN VERTICAL SPOUT MAGNET



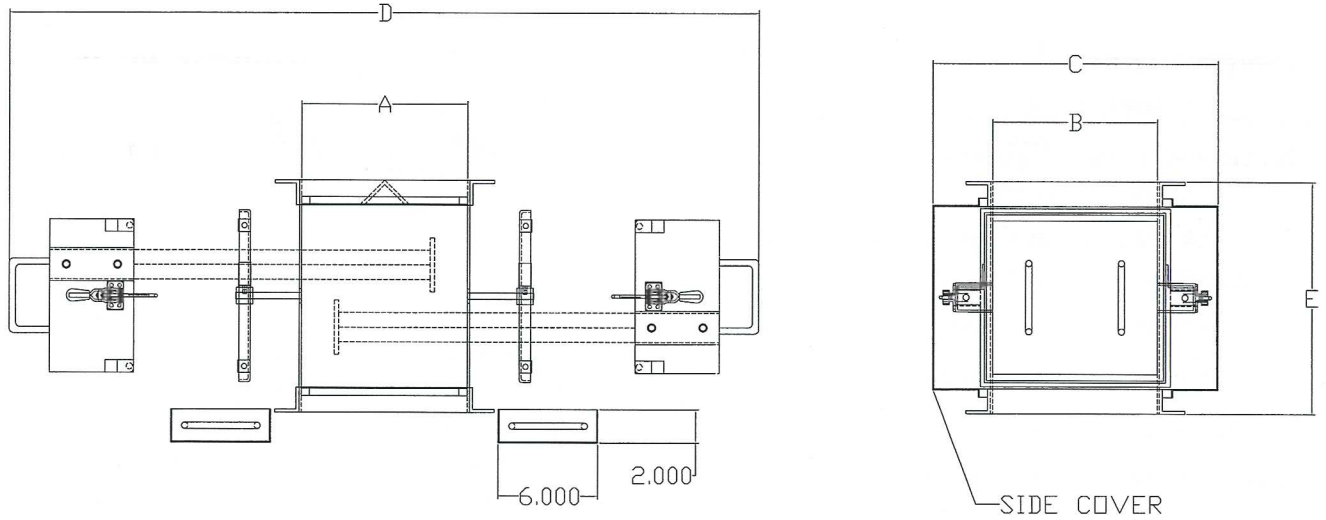
MODEL NUMBER	INLET AREA		DIMENSION A		DIMENSION B		DIMENSION C		DIMENSION D		DIMENSION E		APPROX. WEIGHT	
	SQ. IN.	SQ. MM	INCHES	MM	INCHES	MM	INCHES	MM	INCHES	MM	INCHES	MM	LBS.	KG
VS288EZ	48	30,970	8	203.2	8	203.2	24.565	623.951	16.375	415.925	14	355.6	160	73
VS21010EZ	80	51,616	10	254	10	254	26.565	674.751	18.375	466.725	14	355.6	220	100
VS21012EZ	96	61,939	10	254	12	304.8	28.565	725.551	18.375	466.725	14	355.6	240	109
VS21014EZ	112	72,262	10	254	14	355.6	30.565	776.351	18.375	466.725	14	355.6	275	125
VS21016EZ	128	82,586	10	254	16	406.4	32.565	827.151	18.375	466.725	14	355.6	315	143
VS21018EZ	144	92,908	10	254	18	457.2	34.565	877.951	18.375	466.725	14	355.6	355	161
VS21020EZ	160	103,232	10	254	20	508	36.565	928.751	18.375	466.725	14	355.6	400	181
VS21022EZ	176	113,555	10	254	22	558.8	38.565	979.551	18.375	466.725	14	355.6	430	195
VS21024EZ	192	123,878	10	254	24	609.6	40.565	1,030.351	18.375	466.725	14	355.6	470	213
VS21026EZ	208	134,201	10	254	26	660.4	42.565	1,081.151	18.375	466.725	14	355.6	510	231
VS21028EZ	224	144,525	10	254	28	711.2	44.565	1,131.951	18.375	466.725	14	355.6	550	249
VS21030EZ	240	154,848	10	254	30	762	46.565	1,182.751	18.375	466.725	14	355.6	590	268
VS21032EZ	256	165,171	10	254	32	812.8	48.565	1,233.551	18.375	466.725	14	355.6	630	286
VS21034EZ	272	175,494	10	254	34	863.6	50.565	1,284.351	18.375	466.725	14	355.6	675	306
VS21036EZ	288	185,818	10	254	36	914.4	52.565	1,335.151	18.375	466.725	14	355.6	710	322

POW-R CLEAN VERTICAL SPOUT MAGNET



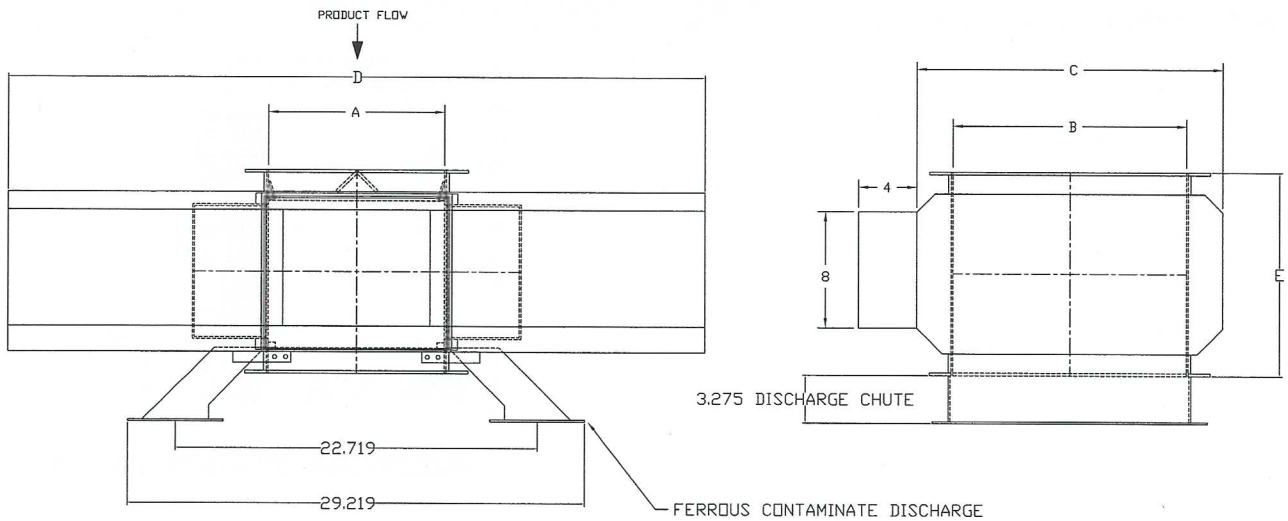
MODEL NUMBER	INLET AREA		DIMENSION A		DIMENSION B		DIMENSION C		DIMENSION D		DIMENSION E		APPROX. WEIGHT	
	SQ. IN.	SQ. MM	INCHES	MM	INCHES	MM	INCHES	MM	INCHES	MM	INCHES	MM	LBS.	KG
VS21010PDWR	80	51,616	10	254	10	254	20.50	520.7	36.25	920.75	14	355.6	220	100
VS21012PDWR	96	61,939	10	254	12	304.8	20.50	520.7	38.25	971.55	14	355.6	240	109
VS21014PDWR	112	72,262	10	254	14	355.6	20.50	520.7	40.25	1,022.35	14	355.6	275	125
VS21016PDWR	128	82,586	10	254	16	406.4	20.50	520.7	42.25	1,073.15	14	355.6	315	143
VS21018PDWR	144	92,908	10	254	18	457.2	20.50	520.7	44.25	1,123.95	14	355.6	355	161
VS21020PDWR	160	103,232	10	254	20	508	20.50	520.7	46.25	1,174.75	14	355.6	400	181
VS21022PDWR	176	113,555	10	254	22	558.8	20.50	520.7	48.25	1,225.55	14	355.6	430	195
VS21024PDWR	192	123,878	10	254	24	609.6	20.50	520.7	50.25	1,276.35	14	355.6	470	213
VS21026PDWR	208	134,201	10	254	26	660.4	20.50	520.7	52.25	1,327.15	14	355.6	510	231
VS21028PDWR	224	144,525	10	254	28	711.2	20.50	520.7	54.25	1,377.95	14	355.6	550	249
VS21030PDWR	240	154,848	10	254	30	762	20.50	520.7	56.25	1,428.75	14	355.6	590	268
VS21032PDWR	256	165,171	10	254	32	812.8	20.50	520.7	58.25	1,479.55	14	355.6	630	286
VS21034PDWR	272	175,494	10	254	34	863.6	20.50	520.7	60.25	1,530.35	14	355.6	675	306
VS21036PDWR	288	185,818	10	254	36	914.4	20.50	520.7	62.25	1,581.15	14	355.6	710	322

E-Z CLEAN RETRACTABLE VERTICAL SPOUT MAGNET



MODEL NUMBER	INLET AREA		DIMENSION A		DIMENSION B		DIMENSION C		DIMENSION D		DIMENSION E		APPROX. WEIGHT	
	SQ. IN.	SQ. MM	INCHES	MM	INCHES	MM	INCHES	MM	INCHES	MM	INCHES	MM	LBS.	KG
VSR21010EZ	80	51,616	10	254	10	254	17.25	438.15	45.25	1,149.35	14	355.6	220	100
VSR21012EZ	96	61,939	10	254	12	304.8	19.25	488.95	45.25	1,149.35	14	355.6	240	109
VSR21014EZ	112	72,262	10	254	14	355.6	21.25	539.75	45.25	1,149.35	14	355.6	275	125
VSR21016EZ	128	82,586	10	254	16	406.4	23.25	590.55	45.25	1,149.35	14	355.6	315	143
VSR21018EZ	144	92,908	10	254	18	457.2	25.25	641.35	45.25	1,149.35	14	355.6	355	161
VSR21020EZ	160	103,232	10	254	20	508	27.25	692.15	45.25	1,149.35	14	355.6	400	181
VSR21022EZ	176	113,555	10	254	22	558.8	29.25	742.95	45.25	1,149.35	14	355.6	430	195
VSR21024EZ	192	123,878	10	254	24	609.6	31.25	793.75	45.25	1,149.35	14	355.6	470	213
VSR21026EZ	208	134,201	10	254	26	660.4	33.25	844.55	45.25	1,149.35	14	355.6	510	231
VSR21028EZ	224	144,525	10	254	28	711.2	35.25	895.35	45.25	1,149.35	14	355.6	550	249
VSR21030EZ	240	154,848	10	254	30	762	37.25	946.15	45.25	1,149.35	14	355.6	590	268
VSR21032EZ	256	165,171	10	254	32	812.8	39.25	996.95	45.25	1,149.35	14	355.6	630	286
VSR21034EZ	272	175,494	10	254	34	863.6	41.25	1,047.7	45.25	1,149.35	14	355.6	675	306
VSR21036EZ	288	185,818	10	254	36	914.4	43.25	1,098.55	45.25	1,149.35	14	355.6	710	322

POW-R CLEAN RETRACTABLE VERTICAL SPOUT MAGNET



MODEL NUMBER	INLET AREA		DIMENSION A		DIMENSION B		DIMENSION C		DIMENSION D		DIMENSION E		APPROX. WEIGHT	
	SQ. IN.	SQ. MM	INCHES	MM	INCHES	MM	INCHES	MM	INCHES	MM	INCHES	MM	LBS.	KG
VSR1010POWR	80	51,616	10	254	10	254	21.00	533.4	47.625	1,209.675	14	355.6	220	100
VSR1012POWR	96	61,939	10	254	12	304.8	23.00	584.2	47.625	1,209.675	14	355.6	240	109
VSR1014POWR	112	72,262	10	254	14	355.6	25.00	635	47.625	1,209.675	14	355.6	275	125
VSR1016POWR	128	82,586	10	254	16	406.4	27.00	685.8	47.625	1,209.675	14	355.6	315	143
VSR1018POWR	144	92,908	10	254	18	457.2	29.00	736.6	47.625	1,209.675	14	355.6	355	161
VSR1020POWR	160	103,232	10	254	20	508	31.00	787.4	47.625	1,209.675	14	355.6	400	181
VSR1022POWR	176	113,555	10	254	22	558.8	33.00	838.2	47.625	1,209.675	14	355.6	430	195
VSR1024POWR	192	123,878	10	254	24	609.6	35.00	889	47.625	1,209.675	14	355.6	470	213
VSR1026POWR	208	134,201	10	254	26	660.4	37.00	939.8	47.625	1,209.675	14	355.6	510	231
VSR1028POWR	224	144,525	10	254	28	711.2	39.00	990.6	47.625	1,209.675	14	355.6	550	249
VSR1030POWR	240	154,848	10	254	30	762	41.00	1,041.4	47.625	1,209.675	14	355.6	590	268
VSR1032POWR	256	165,171	10	254	32	812.8	43.00	1,092.2	47.625	1,209.675	14	355.6	630	286
VSR1034POWR	272	175,494	10	254	34	863.6	45.00	1,143	47.625	1,209.675	14	355.6	675	306
VSR1036POWR	288	185,818	10	254	36	914.4	47.00	1,193.8	47.625	1,209.675	14	355.6	710	322

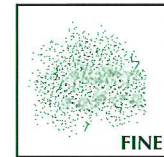
CONSTRUCTION

- Highest available grade of magnet material with choices including Neodymium-Iron-Boron, Samarium-Cobalt, Ceramic, and Alnico.
- 100% 304 stainless steel, all welded rugged construction
- Dust tight construction, food grade gaskets
- Two heavy duty magnet working surfaces
- Pre-engineered for fast field installation
- Heavy duty pre-drilled angle flanges

OPTIONS

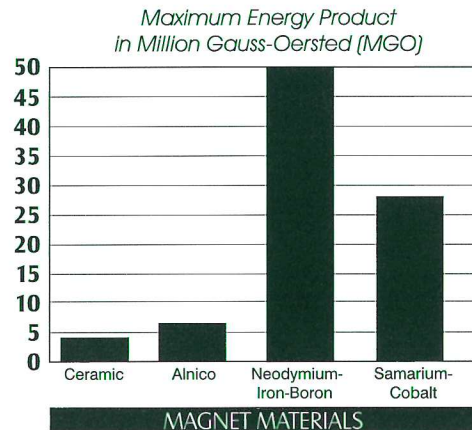
- 316L stainless steel and other alloy construction
- Several sanitary construction options to choose from
- Custom inlet and outlet transitions
- Pneumatically operated Pow-R Clean™ package for remote operation
- Custom sizes available
- Special coatings and finishes upon request

TARGET FERROUS CONTAMINANTS



TRAMP METAL

Tramp metal can cause serious damage to process machinery and compromise product purity. Vertical Spout Magnets are designed to capture and remove fine to large pieces of tramp metal. Fine tramp metal can be described as metal dust or filings. Medium tramp metal may include nuts, bolts, and broken grinding blades. Large tramp metal may consist of pieces of angle or bar stock and broken machinery parts. Strategically placing these magnets after process machinery that is susceptible to breakdowns or prior to process machinery that may become severely damaged as a result of tramp metal will help keep the processed product free from impurities. A Vertical Spout Magnet placed in the packaging or loadout area will ensure your customers are receiving metal free product.



For technical assistance or to order

1-800-SUREMAG™

1-800-787-3624

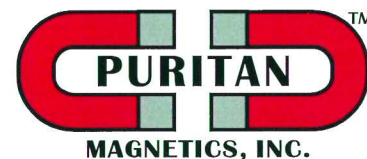
900 S. Glaspie Street
Oxford, MI 48371
(248) 628-3808
Fax: (248) 628-3844

www.puritanmagnets.com

E-Mail: magnet@puritanmagnetics.com

Data Sheet #2425 / Rev. 8/09

Solutions To Your Magnetic Needs



©1995 Puritan Magnetics, Inc.